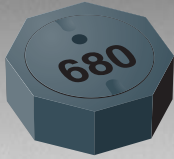


\*RoHS COMPLIANT



**BOURNS®**

### Features

- Available in E6 series
- Unit height of 2.8 mm
- Current up to 3.5 A
- Lead free
- RoHS compliant\*

### Applications

- Input/output of DC/DC converters
- Power supplies for:
  - Portable communication equipment
  - Camcorders
  - LCD TVs
  - Car radios

## SRU5028 Series - Shielded SMD Power Inductors

### Electrical Specifications

Bourns Part No.	Inductance 100 KHz		Q Ref.	Test Frequency (MHz)	SRF Min. (MHz)	RDC (mΩ)	I rms Max. (A)	I sat Typ. (A)
	(μH)	Tol. %						
SRU5028-1R2Y	1.2	± 30	10	7.96	200	16.8	3.50	3.40
SRU5028-2R2Y	2.2	± 30	10	7.96	130	21.0	3.20	2.50
SRU5028-3R3Y	3.3	± 30	10	7.96	90	24.0	2.80	2.10
SRU5028-4R7Y	4.7	± 30	9	7.96	50	32.0	2.20	1.85
SRU5028-6R8Y	6.8	± 30	10	7.96	55	42.0	2.00	1.55
SRU5028-100Y	10.0	± 30	18	2.52	25	63.0	1.80	1.40
SRU5028-150Y	15.0	± 30	18	2.52	23	108.0	1.10	1.00
SRU5028-220Y	22.0	± 30	15	2.52	18	162.0	0.95	0.85
SRU5028-330Y	33.0	± 30	15	2.52	16	203.0	0.80	0.68
SRU5028-470Y	47.0	± 30	13	2.52	13	285.0	0.70	0.62
SRU5028-680Y	68.0	± 30	13	2.52	10	450.0	0.56	0.46
SRU5028-101Y	100.0	± 30	15	0.796	8	625.0	0.47	0.42

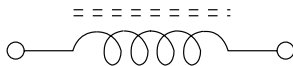
### General Specifications

Test Voltage.....0.1 V  
 Reflow Soldering ...230 °C, 50 sec. max.  
 Operating Temperature  
 .....-40 °C to +125 °C  
 (Temperature rise included)  
 Storage Temperature...-40 °C to +125 °C  
 Resistance to Soldering Heat  
 .....260 °C for 10 sec.

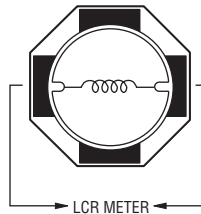
### Materials

Core.....Ferrite DR and RI core  
 Wire.....Enamelled copper  
 Terminal .....Ag/Ni/Sn  
 Rated Current  
 .....Ind. drop 35 % typ. at Isat  
 Temperature Rise  
 .....40 °C max. at rated Irms  
 Packaging.....600 pcs. per reel

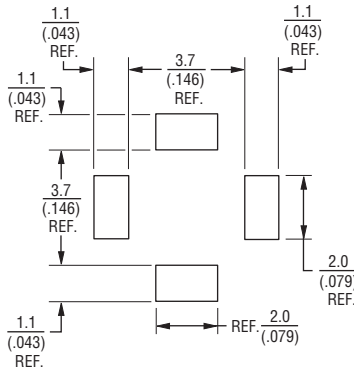
### Electrical Schematic



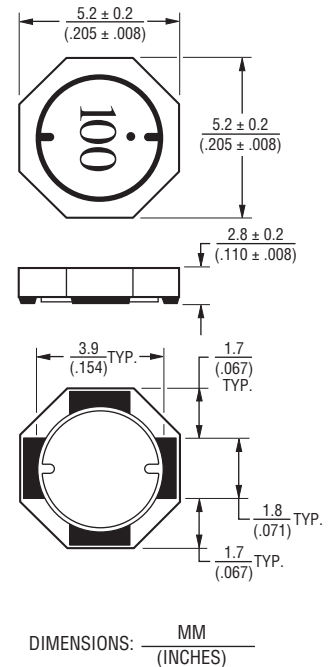
### Inductor Connection



### Recommended Layout



### Product Dimensions

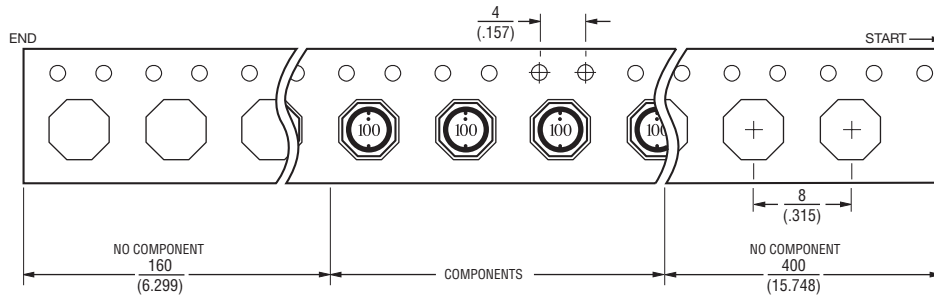
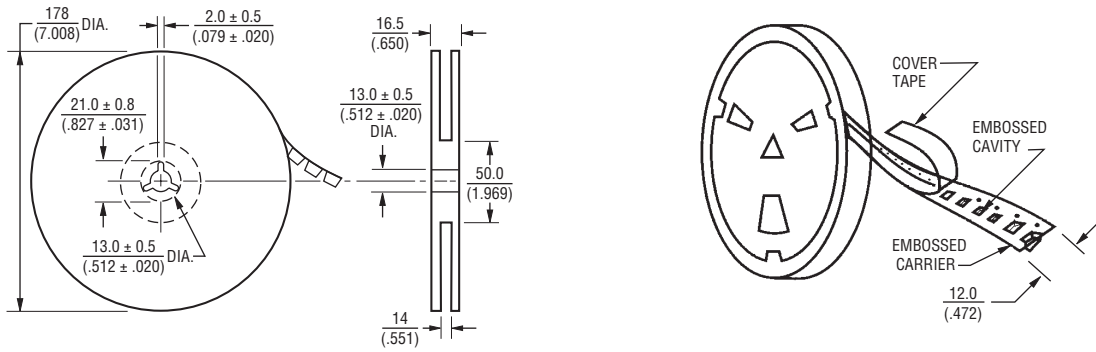


\*RoHS Directive 2002/95/EC Jan 27, 2003 including Annex. Specifications are subject to change without notice. Customers should verify actual device performance in their specific applications.

# SRU5028 Series - Shielded SMD Power Inductors

**BOURNS®**

## Packaging Specifications



**USER DIRECTION OF FEED** →

QTY: 600 PCS. PER REEL

DIMENSIONS:  $\frac{\text{MM}}{\text{(INCHES)}}$